



V250

COMMERCIAL VINYL SERIES

Single Hung | Double Hung | Horizontal Slider | Fixed



Product Material
Vinyl



Frame Depth
3 1/4"



Rating
Hung Models: LC35
Slider: LC35
Fixed: LC35

District @ 6th
Des Moines, IA
Owner/Developer/Architect:
TWG Development
Dealer: Lite, Inc.



<p>Design Pressure Single Hung: 35 Double Hung: 35 Slider: 35 Fixed: 35</p>	<p>U-Value* Single Hung: .25 - .34 Double Hung: .24 - .33 Slider: .24 - .35 Fixed: .20 - .32</p>
<p>Air Infiltration Single Hung: <.30 Double Hung: <.30 Slider: <.30 Fixed: <.30</p>	<p>SHGC* Single Hung: .13 - .51 Double Hung: .12 - .50 Slider: .13 - .49 Fixed: .13 - .53</p>
<p>Water Resistance Single Hung: 5.25 Double Hung: 5.25 Slider: 5.25 Fixed: 5.25</p>	<p>CR* Single Hung: 40 - 65 Double Hung: 41 - 65 Slider: 40 - 65 Fixed: 41 - 68</p>
<p>OITC^x Single Hung: Contact Quaker Double Hung: Contact Quaker Slider: Contact Quaker Fixed: Contact Quaker</p>	<p>STC^x Single Hung: Contact Quaker Double Hung: Contact Quaker Slider: Contact Quaker Fixed: Contact Quaker</p>
<p>*-Ranges based on multiple Low-E/Argon I.G. combinations x-Ranges based on multiple I.G. combinations</p>	

FEATURES:

- ▶ Commercial grade vinyl window for light commercial applications
- ▶ 3/4" insulating glass
- ▶ Mitered and welded corners
- ▶ Integral nail fin
- ▶ Block & Tackle balancers in Hung models
- ▶ Brass rollers with stainless steel axle pins (Sliding model)
- ▶ Steel reinforcements added throughout for additional strength
- ▶ Numerous mull systems for multi-unit combos
- ▶ White or Sandstone vinyl
- ▶ Optional painted exterior (meets FGIA 615 finish)
- ▶ Textured laminate options for exterior and interior
- ▶ Use up to 4 floors with standard fin-install. Up to 6 stories with sill pan or receptor/subsill installation accessories

www.QuakerCommercialWindows.com

Information listed is deemed accurate as of date shown. Quaker Windows reserves the right to change or discontinue any product, feature or option without notice.

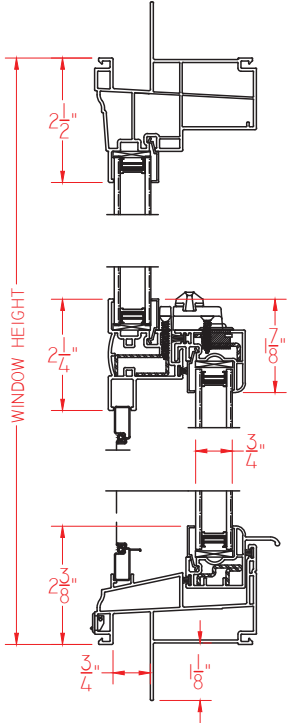
August, 2024 V6



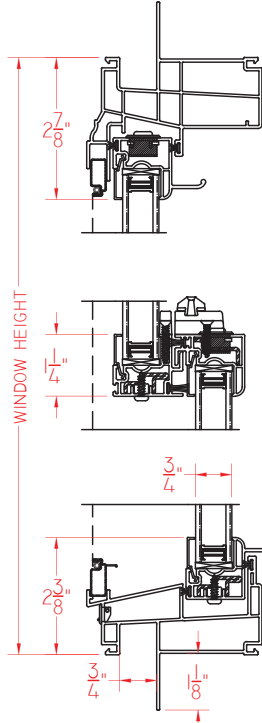
V250

COMMERCIAL VINYL SERIES

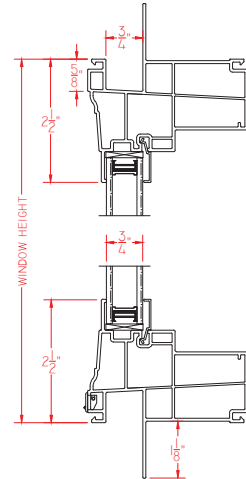
Single Hung (LC35)
Test size = 36" x 84"



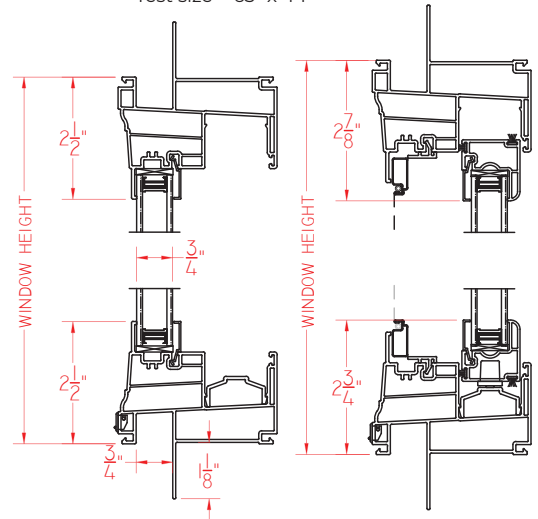
Double Hung (LC35)
Test size = 36" x 84"



Fixed (LC35)
Test size = 56" x 56"



Horizontal Slider (LC35)
Test size = 63" x 44"



All ratings listed are NAFS certified.



QuakerCommercialWindows.com
1-800-347-0438
Commercial@quakerwindows.com